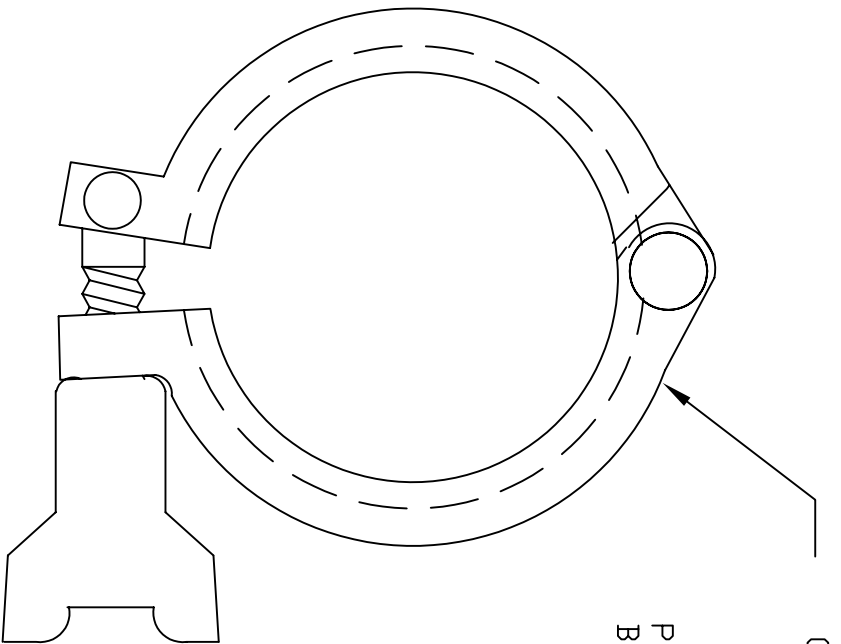


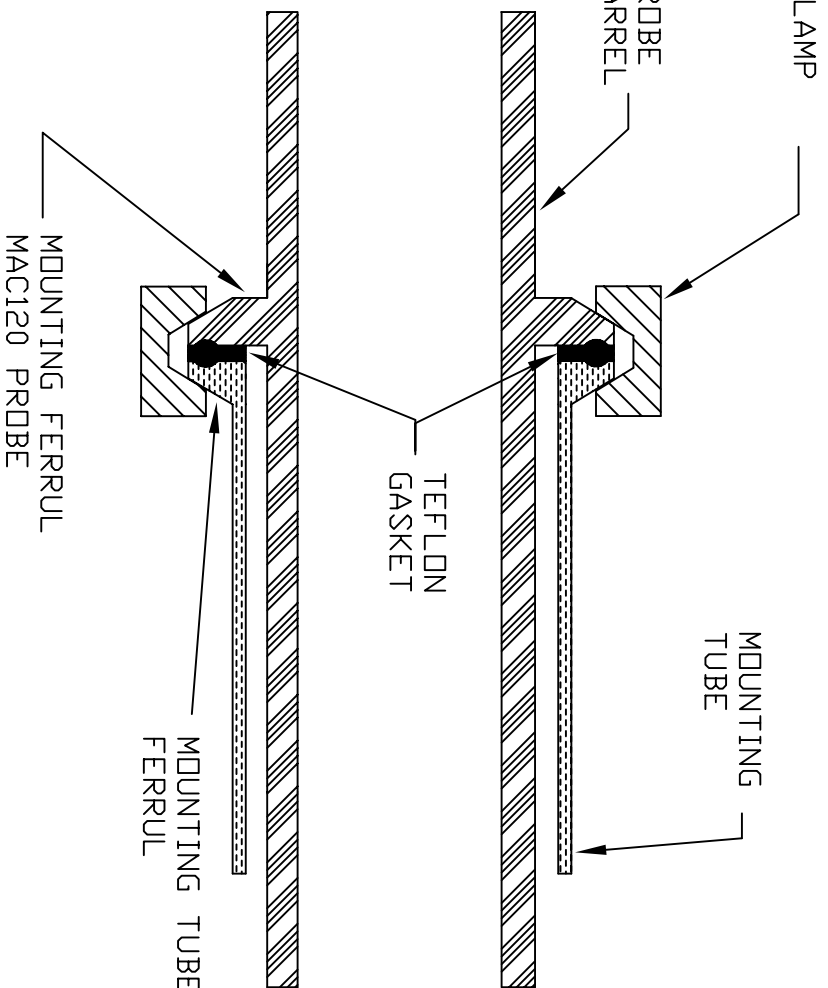
- WATER TIGHT CONNECTORS (NEMA 4/IP68)
 MATING CONNECTORS WITH
 6 FOOT (1.8 METER) CABLES INCLUDED,
 1) 3 CONDUCTOR SIGNAL CABLE
 1) 4 CONDUCTOR POWER CABLE

MAC INSTRUMENTS
 A DIVISION OF Machine Applications Corporation
 3410 Tiffin Ave. Sandusky, Ohio 44870
 PHONE: (419)621-2322 FAX: (419) 621-2321


TITLE			
MAC125 OUTLINE DRAWING			
STANDARD MOUNTING TUBE			
DRAWN	SCW	SIZE	DRAWING NUMBER
CHECKED		A	125/00/0004
APPROVED	JGW		SHEET 1 OF 2
			REVISION
			A

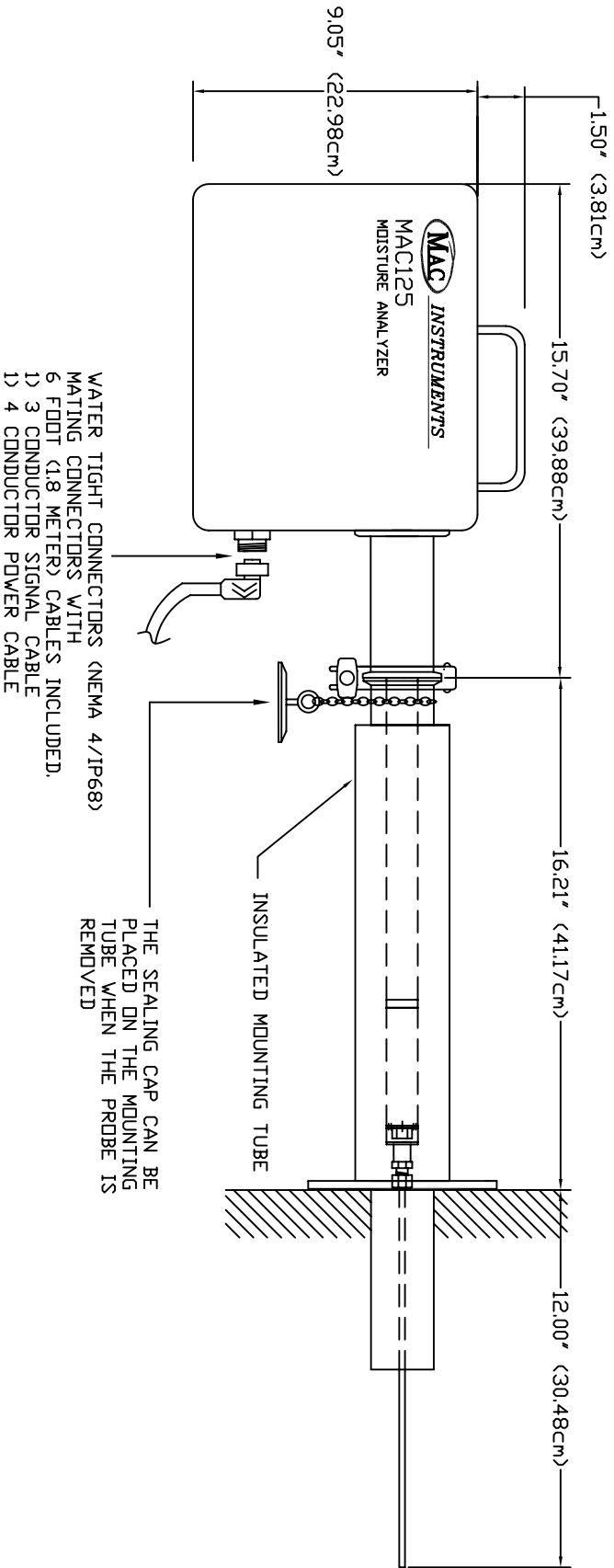


THE MAC120 MOISTURE ANALYZER IS CLAMPED TO THE MOUNTING TUBE FERRUL USING STANDARD HARDWARE AS SHOWN ABOVE. THE HARDWARE IS RATED TO 150 PSI.



CROSS SECTION VIEW OF MOUNTING FERRULS AND CLAMP

 MAC INSTRUMENTS A DIVISION OF Machine Applications Corporation 3410 Tiffin Ave. Sandusky, Ohio 44870 PHONE: (419)621-2322 FAX: (419) 621-2321		TITLE	
		MAC 125 MOISTURE ANALYZER DUTLINE DRAWING	
DRAWN	SCW	SIZE	DRAWING NUMBER
CHECKED		A	120/00/0004
APPROVED	JGW	SHEET 2 OF 2	

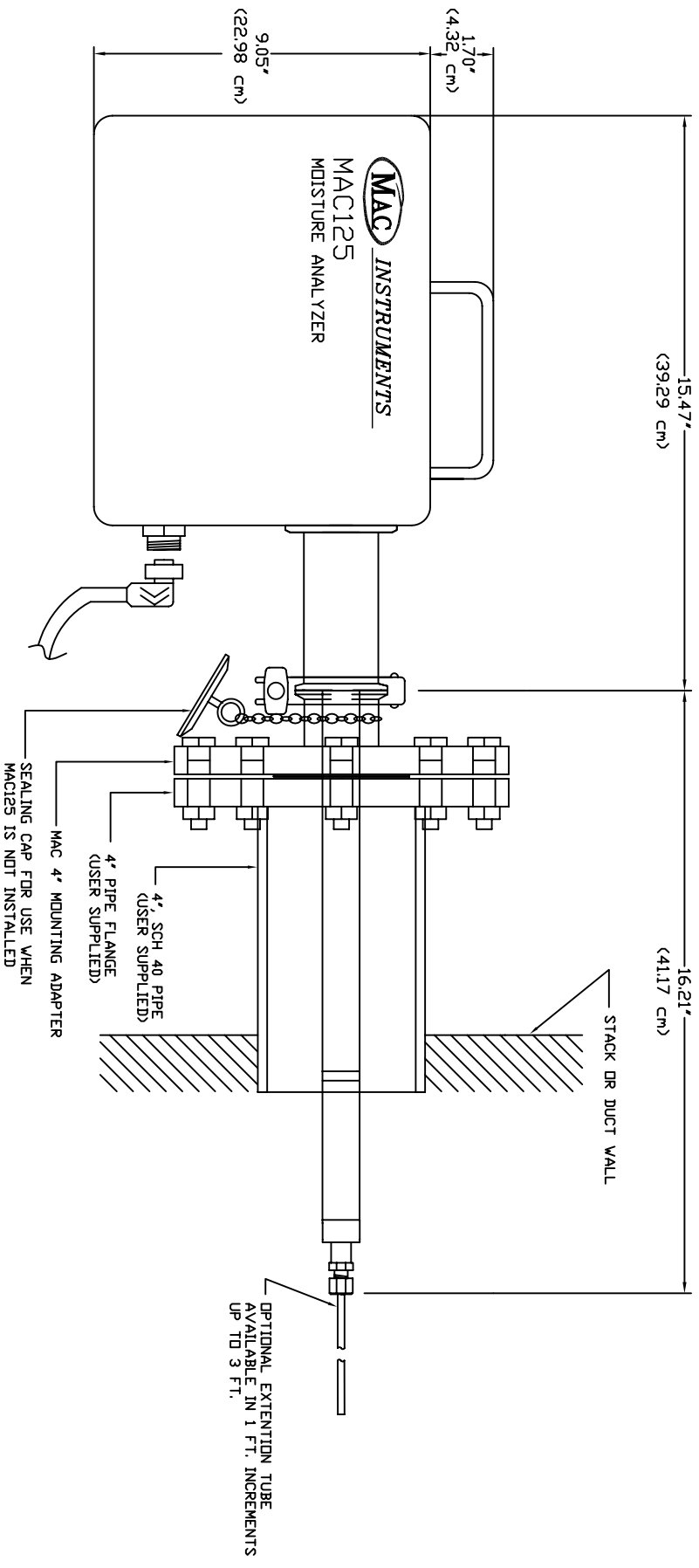



MAC INSTRUMENTS
 A DIVISION OF Machine Applications Corporation
 3410 Tiffin Ave. Sandusky, Ohio 44870
 PHONE: (419)621-2322 FAX: (419) 621-2321

TITLE
 MAC125 OUTLINE DRAWING
 INSULATED MOUNTING TUBE

DRAWN	SCW	SIZE	125/00/0001	REVISION
CHECKED				
APPROVED				

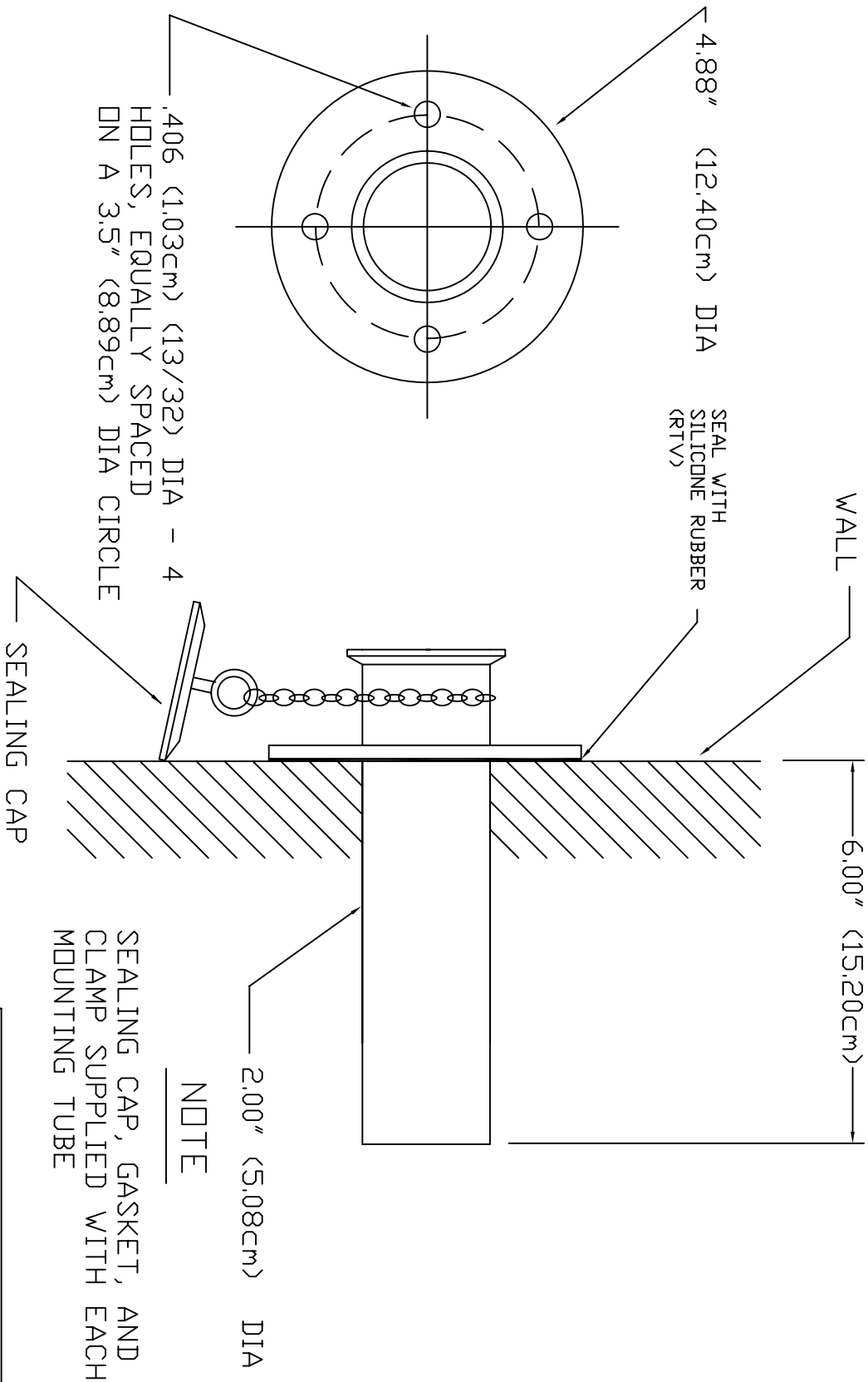
SHEET 1 OF 1




MAC INSTRUMENTS
 A DIVISION OF **Machine Applications Corporation**
 3410 Tiffin Ave. Sandusky, Ohio 44870
 PHONE: (419)621-2322 FAX: (419) 621-2321

TITLE
MAC125
TYPICAL INSTALLATION

DRAWN	SIZE	DRAWING NUMBER	REVISION
SCW		125/00/0011	A1
CHECKED			
APPROVED			



FOR USE WHERE THE SURFACE TEMPERATURE DOES NOT EXCEED 150°F / 66°C

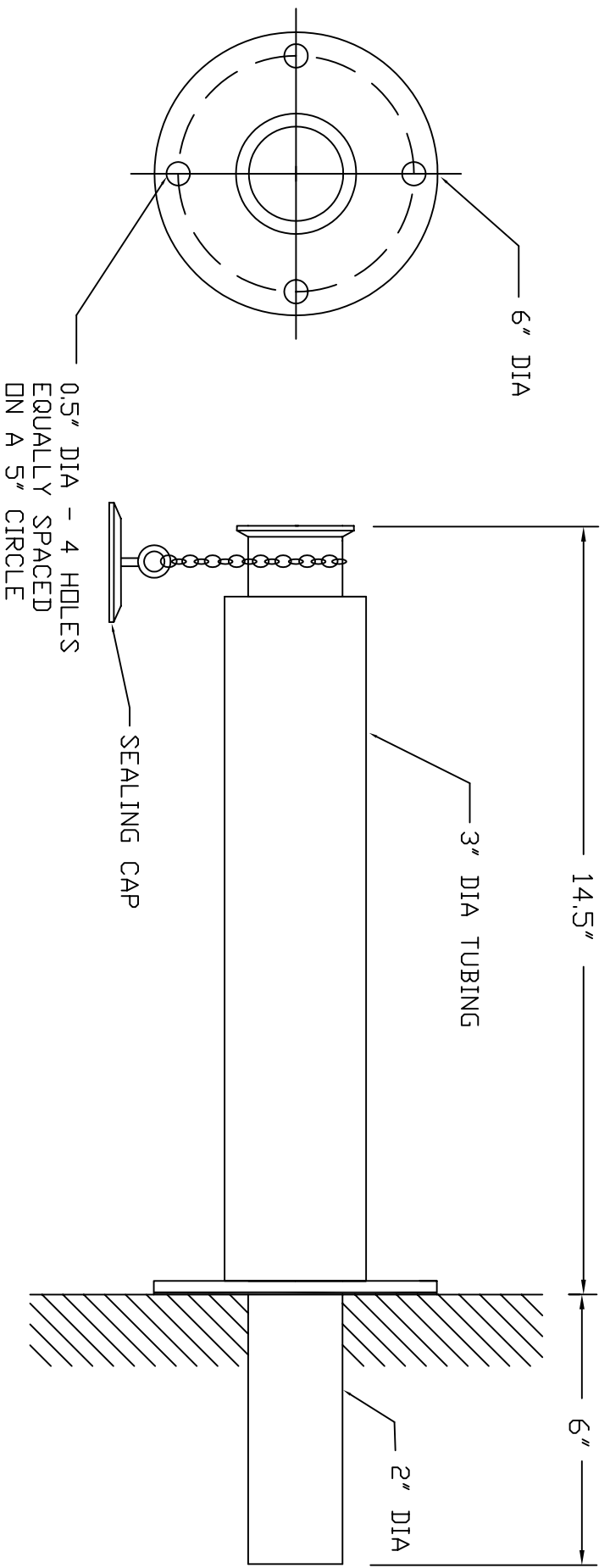
- INSULATED OVENS AND FURNACES
- INSULATED EXHAUST STACKS

APPLICATION

MAC INSTRUMENTS
 A DIVISION OF Machine Applications Corporation
 3410 Tiffin Ave. Sandusky, Ohio 44870
 PHONE: (419)621-2322 FAX: (419) 621-2321

TITLE
 STANDARD MOUNTING TUBE

DRAWN	SCW	SIZE		DRAWING NUMBER	125/00/0002	REVISION	
CHECKED			A			A	
APPROVED	JGW						SHEET 1 OF 1



APPLICATION

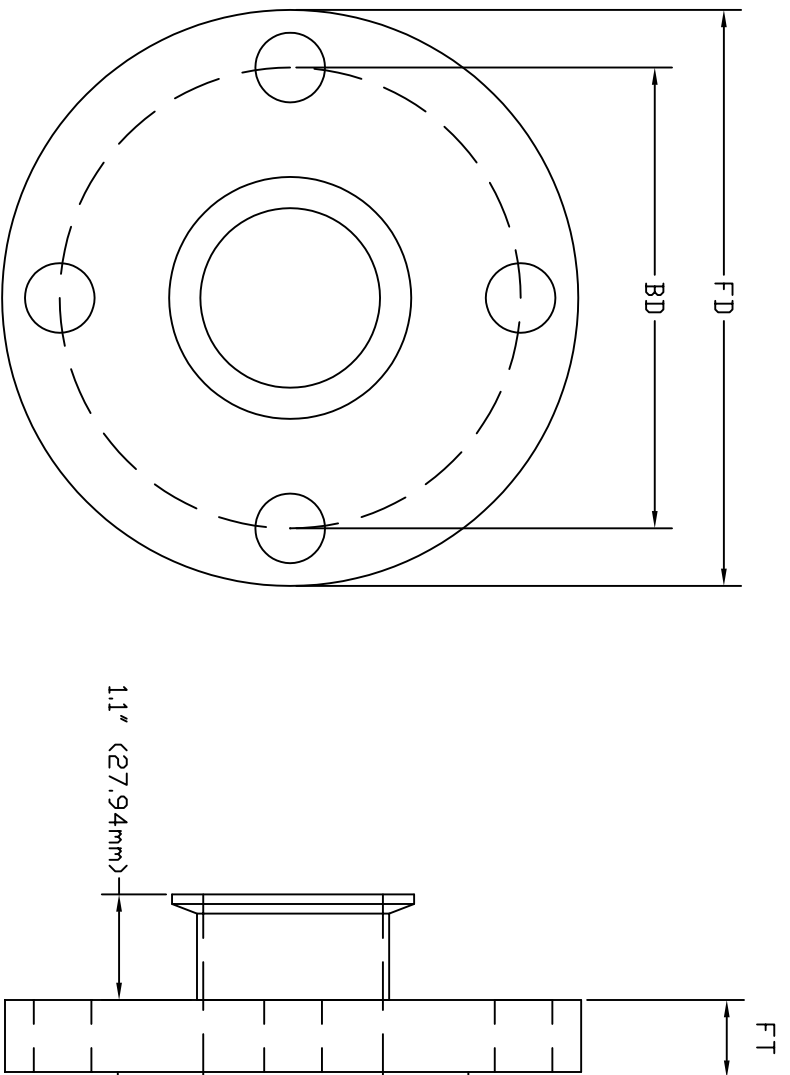
- FOR USE WHERE THE SURFACE TEMPERATURE EXCEEDS 150°F OR WHERE THE PROBE INSERTION LENGTH MUST BE REDUCED
- PAPER DRYER HOODS
 - TEXTILE DRYERS
 - FOOD PROCESSING OVENS
 - CALCINERS
 - EXHAUST STACKS

* THE MOUNTING TUBE MUST BE INSTALLED AIR TIGHT. USE SILICONE RUBBER (RTV) OR OTHER MATERIAL SUITABLE FOR USE AT THE SURFACE TEMPERATURE OF THE MOUNTING SURFACE.

NOTE
SEALING CAP, GASKET, AND CLAMP SUPPLIED WITH EACH MOUNTING TUBE

MAC INSTRUMENTS
A DIVISION OF Machine Applications Corporation
3410 Tiffin Ave. Sandusky, Ohio 44870
PHONE: (419)621-2322 FAX: (419) 621-2321

TITLE			
INSULATED MOUNTING TUBE			
DRAWN	SCW	SIZE	DRAWING NUMBER
CHECKED		A	120/00/0009
APPROVED	JGW		SHEET 1 OF 1
			REVISION
			A



FOR MOUNTING THE MAC125 TO A PIPE STUB
WITH A STANDARD ANSI FLANGE

MATERIAL: 304 SS

PIPE SIZE	FD		BD		FT		BOLT QTY	BOLT SIZE
	DN (MM)	INCH	MM	INCH	MM	INCH		
1.5	40	5.0	127.0	3.875	98.5	.5625	4	1/2"
2	50	6.0	152.4	4.750	120.7	.6250	4	5/8"
2.5	65	7.0	177.8	5.500	139.7	.6875	4	5/8"
3	80	7.5	190.5	6.000	152.4	.7500	4	5/8"
3.5	90	8.5	215.9	7.000	177.8	.8125	8	5/8"
4	100	9.0	228.6	7.500	190.5	.9375	8	5/8"
5	125	10.0	254.0	8.500	215.9	.9375	8	3/4"
6	150	11.0	279.4	9.500	241.3	1.0000	8	3/4"

MAC INSTRUMENTS
 A DIVISION OF Machine Applications Corporation
 3410 Tiffin Ave. Sandusky, Ohio 44870
 PHONE: (419)621-2322 FAX: (419) 621-2321

TITLE
 MAC125 MOUNTING
 ADAPTER OUTLINE

DRAWN	SCW	SIZE	DRAWING NUMBER	REVISION
CHECKED		A	125/00/0005	
APPROVED				